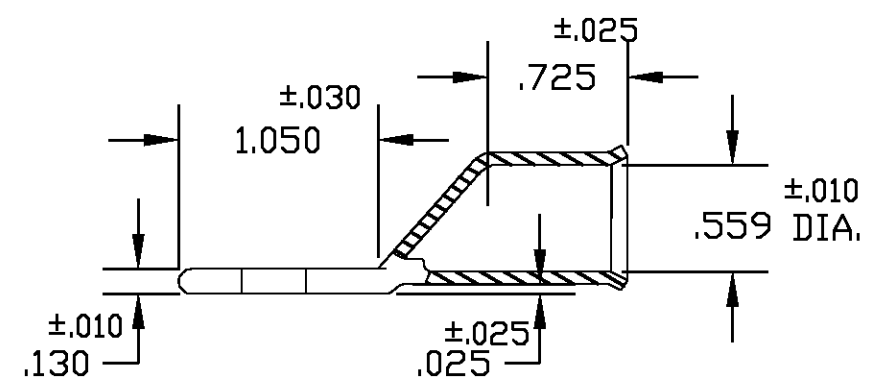
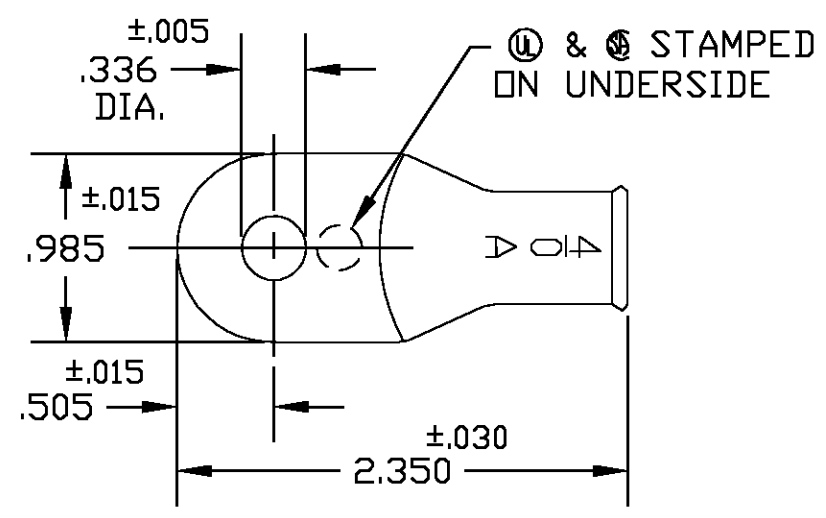


THIS DRAWING IS UNPUBLISHED. RELEASED FOR PUBLICATION  
 © COPYRIGHT BY TYCO ELECTRONICS CORPORATION. ALL RIGHTS RESERVED.

LOC	DIST	REVISIONS					
		P	LTR	DESCRIPTION	DATE	DWN	APVD
G	50		B	REV PER 0G3H-0088-04	30MAR04	JR	MS



ACTIVE	40561-01	STANDARD	TIN PLATE	1526837-2
ACTIVE	40561-00	STANDARD	PLAIN	1526837-1
STATUS	AET P/N	PACKAGING	FINISH	PART NUMBER

THIS DRAWING IS A CONTROLLED DOCUMENT.		DWN D.A.A 11/2/00	Tyco Electronics Corporation Harrisburg, PA 17105-3608		
DIMENSIONS: INCHES		CHK H.D.F 11/2/00			
		APVD H.D.F 11/2/00	PRODUCT SPEC -		SIZE A3
MATERIAL COPPER ASTM B-152		FINISH -	APPLICATION SPEC -	WEIGHT -	CAGE CODE 00779
			RESTRICTED TO -	DRAWING NO C-1526837	SCALE 1:1
			CUSTOMER DRAWING		SHEET 1 OF 1
					REV B